

Belleville Washer

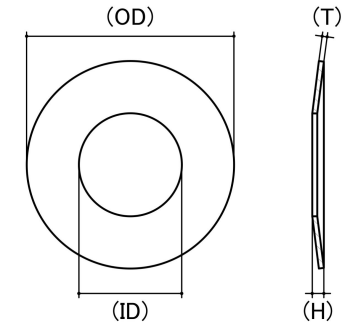
Material: Stainless Steel

Class Grade: A2-70 G304

Corrosion Protection Level: Excellent

Standard: HEC Standard

System Of Measurement: Metric



*CAD drawings shown for graphic representation only.**

Industry Size	Inside Dimension (ID) (mm)		Outside Dimension (OD) (mm)		Thickness (T) (mm)		Unloaded Washer Height (H) (mm)		Height of Angle (H) (mm)	sku (qfind)
	Min	Max	Min	Max	Min	Max	Min	Max	Nom	
M4 x 8 x 0.4	4.10	4.50	7.80	8.00	0.30	0.40	0.55	0.65	0.20	71BS48
M5 x 10 x 0.5	5.10	5.50	9.80	10.00	0.40	0.50	0.75	0.85	0.25	71BS510
M6 x 12.5 x 0.7	6.10	6.70	12.30	12.50	0.60	0.70	0.90	1.00	0.30	71BS6125
M8 x 16 x 0.9	8.00	8.50	15.80	16.00	0.80	0.90	1.25	1.35	0.35	71BS816
M10 x 20 x 1.1	10.20	10.75	19.60	20.00	1.00	1.10	1.50	1.60	0.45	71BS1020
M12 x 25 x 1.5	12.20	13.00	24.60	25.00	1.40	1.50	2.05	2.25	0.55	71BS1225
M16 x 31.5 x 1.75	16.20	17.00	31.10	31.50	1.65	1.75	2.35	2.45	0.70	71BS16315
M20 x 40 x 2.25	20.90	22.10	39.60	40.00	2.10	2.25	3.10	3.20	0.90	71BS2040
M24 x 50 x 3	24.50	26.50	49.60	50.00	2.85	3.00	4.10	4.30	1.10	71BS2450

Disclaimer:

Dimensional data and technical information was obtained from publicly available sources and not acquired through standard agencies. It has been completed and compiled for reference purposes only; where discrepancies are found they are subject to change without notice. Bolt & Nut Australia makes no warranties or representations regarding the accuracy and validity of the compiled information and data. Contact the relevant standard authorities for accurate and detailed information.

* CAD drawings may not reflect diameter, thread length or overall length.

© Bolt & Nut Australia Pty Ltd. All rights reserved.

Version: 18 Mar 2024